

# 7555 X-RAY INSPECTION

Explosives, Weapons and Contraband

SINGLE SOURCE, MULTI-ENERGY

X-RAY INSPECTION

TSA QUALIFIED



Built to handle the toughest throughput demands, the high-capacity 7555 X-ray scanner is ideal for screening mid-size parcels, cargo, luggage and more. TSA qualified for air cargo screening, this heavy-duty system delivers best-in-class speed and reliability when screening for explosives, weapons, drugs and other contraband. Multi-energy color material marking and stripping gives operators the edge when inspecting the most cluttered and densely-packed objects.

- > TSA qualified for air cargo screening
- > Patented guided conveyor belt never needs adjusting
- > Built on the industry's most stable and flexible operating system

#### APPLICATIONS:

- > Cargo Screening
- > Passenger, Staff and Visitor Checkpoint Inspection
- > Corporate, Government and Private Security
- > Critical Infrastructure Security
- > Mail Screening

# 7555 SPECIFICATIONS

X-RAY INSPECTION

## PHYSICAL DETAILS

<b>Tunnel Size:</b>	75.0 x 55.0 cm 29.6 x 21.7 in. (W x H)
<b>Dimensions:</b>	199.1 x 95.3 x 139.5 cm 78.4 x 37.5 x 54.9 in. (L x W x H)
<b>Weight:</b>	454 kg (1,000 lbs.) uncrated 589 kg (1,300 lbs.) crated
<b>Construction:</b>	Unibody heavy gauge epoxy painted steel construction with stainless steel and accessories; non-marking casters and leveling jackscrews
<b>Temperature:</b>	-15° to 55°C (5° to 131°F)
<b>Humidity:</b>	20% to 95%, non-condensing
<b>Storage:</b>	To 65°C (149°F)
<b>Power Consumption:</b>	< 0.8 kVA; < 8 amps 100, 120 volts AC ±10%; < 4 amps 200, 220, 230, 240, 250 volts AC ±10%; all at 50 or 60 Hz

## X-RAY GENERATOR

<b>X-ray Tube Head:</b>	Self-contained, shielded tank
<b>High Voltage Rating:</b>	160 kV
<b>Duty Cycle:</b>	100% with sealed oil bath cooling
<b>Beam Orientation:</b>	Diagonal (80° beam divergence)
<b>Dose Per Exam:</b>	0.1 mR

## INSPECTION CAPABILITIES

<b>Material Penetration:</b>	28–29 mm (1.10–1.14 in.) steel
<b>Contrast Sensitivity:</b>	Over 2 million color tones standard
<b>Resolution:</b>	40 AWG wire
<b>Processing:</b>	32-bit adaptive image processing with minimum 1 Gbytes+ memory; 2.2GHz+ dual core processor; video processing using next generation graphical processing unit architecture with 550MHz+ GPU clock, 512Mbyte+ video memory and 32+ stream processing cores
<b>Conveyor Speed:</b>	24.0 cm (9.4 in.) per second 14.6 m (48 ft.) per minute
<b>Pulling Weight:</b>	150 kg (331 lbs.)
<b>Film Safety:</b>	Guaranteed for high-speed film up to ISO 1600 (33 DIN)

## DETECTORS

L-shaped detector for 100% object screening  
Surface mounted, multilayer, fully integrated, high frequency solid state scintillator detectors, using state of the art high speed processors and CPUs and advanced signal processing

## VIDEO

17" color LCD monitor, 1280 x 1024 video card

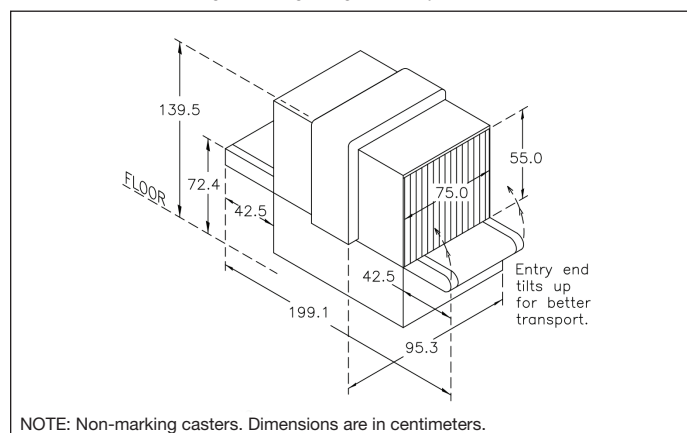
## STANDARD FEATURES

- autoSoft operating system
- Full-size operator control panel (OCP) with touchpad navigation
- autoTracking guided conveyor belt system
- Reversible conveyor direction
- High/low density and stripping
- Organic/inorganic stripping
- Color; reverse B/W imaging
- Interactive, user-friendly help screens
- 128x Smart Zoom
- Adjustable zoom preview window
- D-SCAN
- Dark and light enhance
- DensityScan
- RealClear
- autoDensAlert
- autoOutline
- autoSensing
- autoScale
- autoCal
- Z-SCAN
- Save screen to USB
- Item counter<sup>1</sup>

## OPTIONS

- Loading or exit rollerbeds
- Conveyor extensions
- Tropical humidity kit
- DVD drive
- autoMatAlert<sup>2</sup>
- autoZ display<sup>1</sup>
- Image archiving<sup>2</sup>
- Threat image projection (TIP)<sup>1</sup>
- Built-in training<sup>1</sup>
- Level 1 networking
- Level 2 and 3 networking<sup>1</sup>
- User management<sup>2</sup>
- Locking metal OCP cover
- Variable height OCP mount
- Dual and larger monitors
- Monitor platform
- Locking monitor garage
- Laser printer
- Console desk
- kV, mA meter
- Uninterruptible power supply
- Optical X-ray on/off sensor
- Footpad
- CE/CSA/ETL compliance<sup>2</sup>

<sup>1</sup> Not standard or an option with TSA air cargo screening configuration  
<sup>2</sup> Standard with TSA air cargo screening configuration only



NOTE: Non-marking casters. Dimensions are in centimeters.